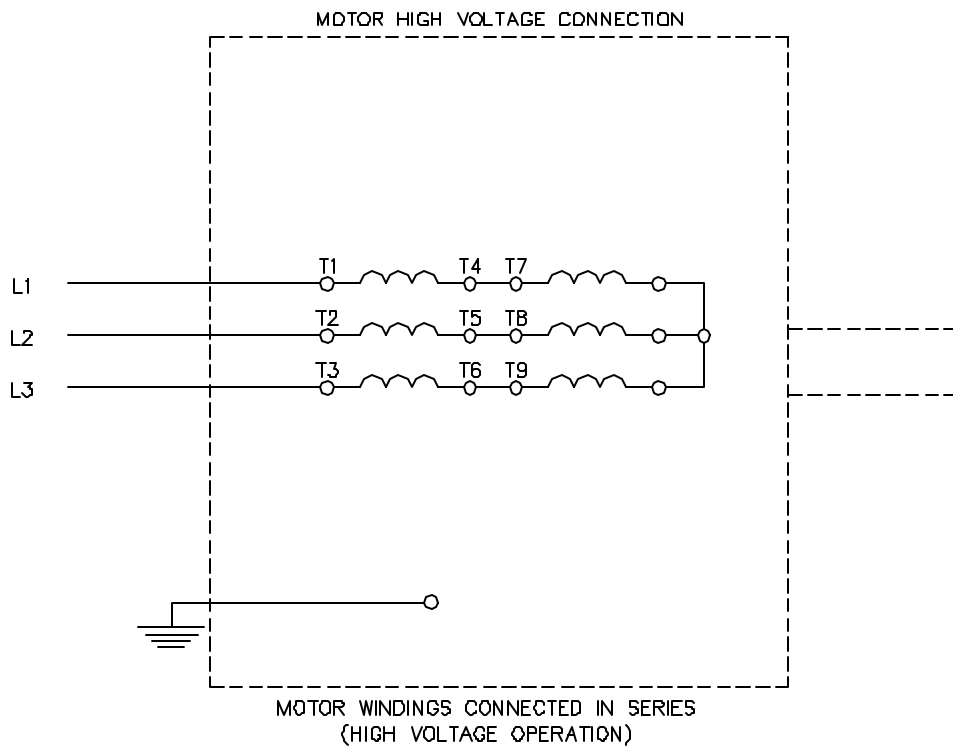


VOLTAGE	L1	L2	L3	JOIN
LOW	1 AND 7	2 AND 8	3 AND 9	4, 5 AND 6



VOLTAGE	L1	L2	L3	JOIN
HIGH	1	2	3	4 TO 7, 5 TO 8 AND 6 TO 9